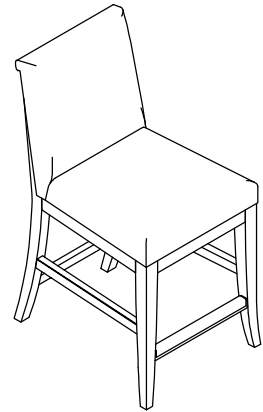


Warning :

- Be sure to check all packing material carefully for small parts, which may have come loose inside the carton during shipment.
- To prevent possible scratches and damage, this furniture must be assembled on a soft surface such as a blanket or carpet.

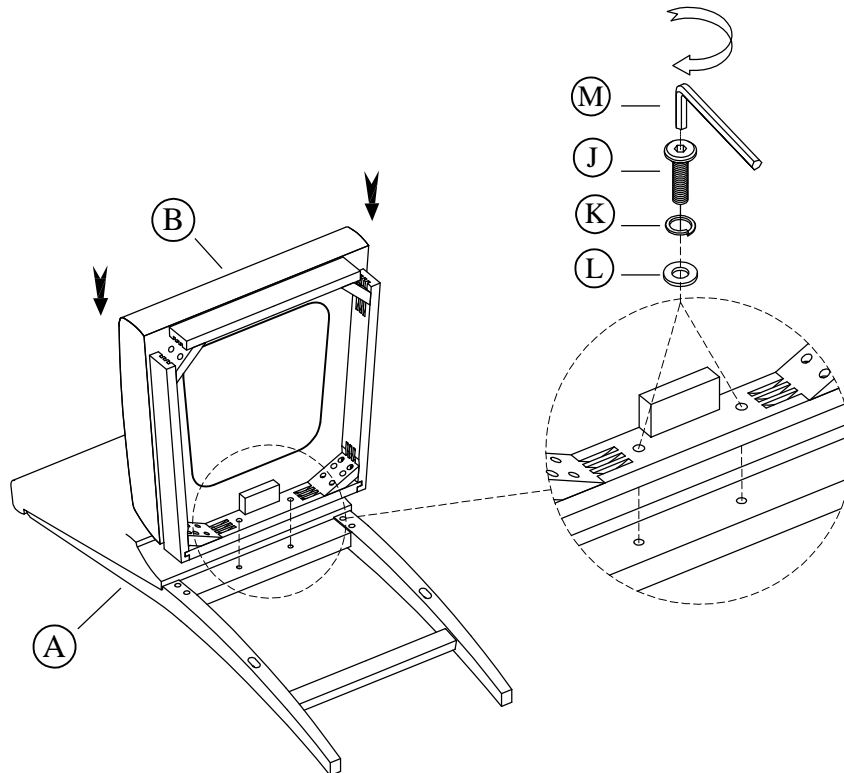


#50359
UPH Counter Stool 2 in

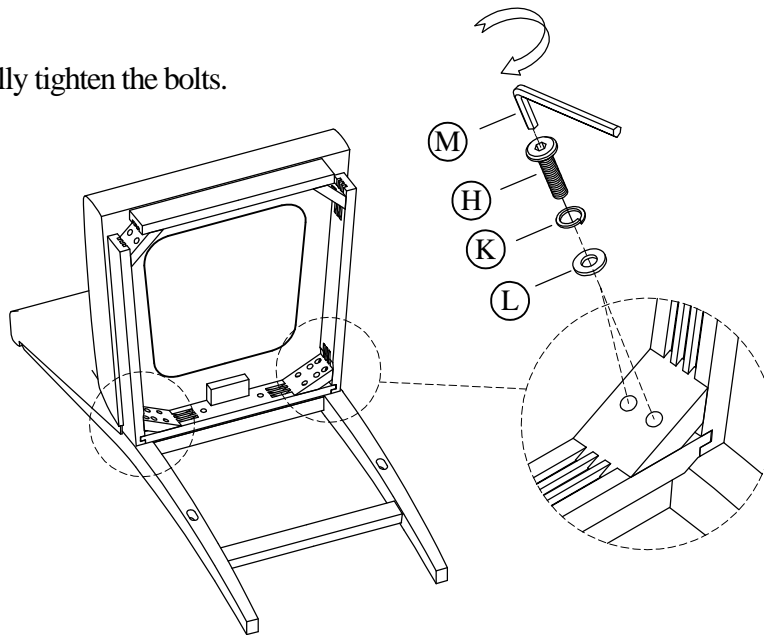
Components and Hardware List

<p>Back Chair</p> <p>(A) 1 pc.</p>	<p>Seat Cushion</p> <p>(B) 1 pc.</p>	<p>Front Leg (Left)</p> <p>(C) 1 pc.</p>	<p>Front Leg (Right)</p> <p>(D) 1 pc.</p>	<p>Front Stretcher</p> <p>(E) 1 pc.</p>		
<p>Side Stretcher (Left)</p> <p>(F) 1 pc.</p>	<p>Side Stretcher (Right)</p> <p>(G) 1 pc.</p>	<p>Allen Head Bolt Ø5/16"-18 x 3-1/8"</p> <p>(H) 4 pcs.</p>	<p>Allen Head Bolt Ø5/16"-18 x 2-1/8"</p> <p>(I) 4 pcs.</p>	<p>Allen Head Bolt Ø5/16"-18 x 1-3/4"</p> <p>(J) 2 pcs.</p>	<p>Spring Washer Ø5/16"</p> <p>(K) 10 pcs.</p>	<p>Flat Washer Ø5/16" x 19*2mm</p> <p>(L) 10 pcs.</p>
<p>Allen Key 5mm</p> <p>(M) 1 pc.</p>	<p>#8 x 1-1/4" Wood Screw</p> <p>(N) 6 pcs.</p>	<p>Screw Driver not included</p>				

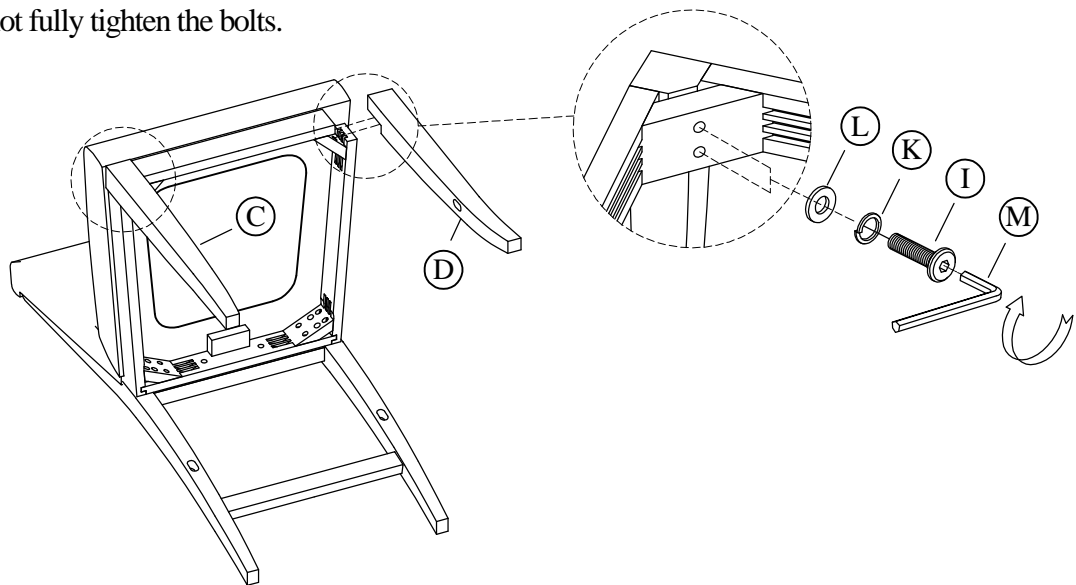
STEP 1:



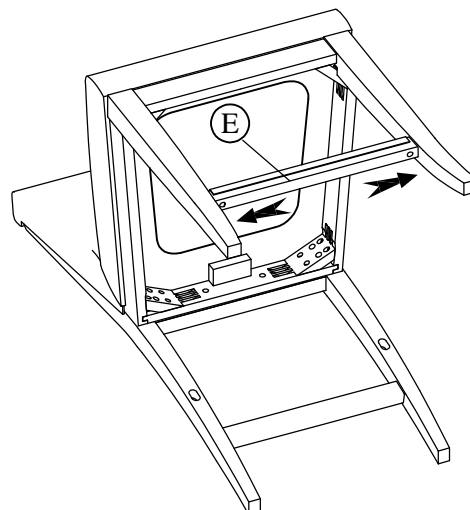
STEP 2: Do not fully tighten the bolts.



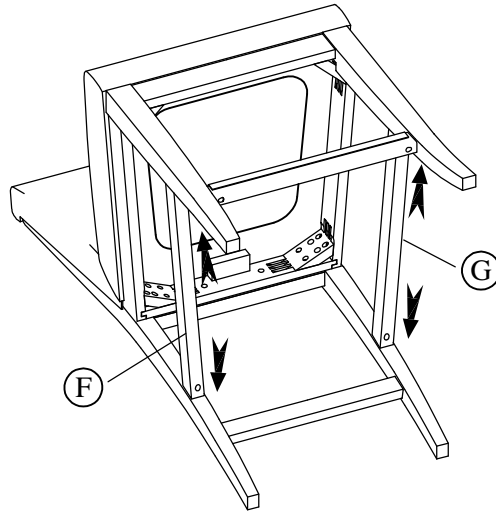
STEP 3: Do not fully tighten the bolts.



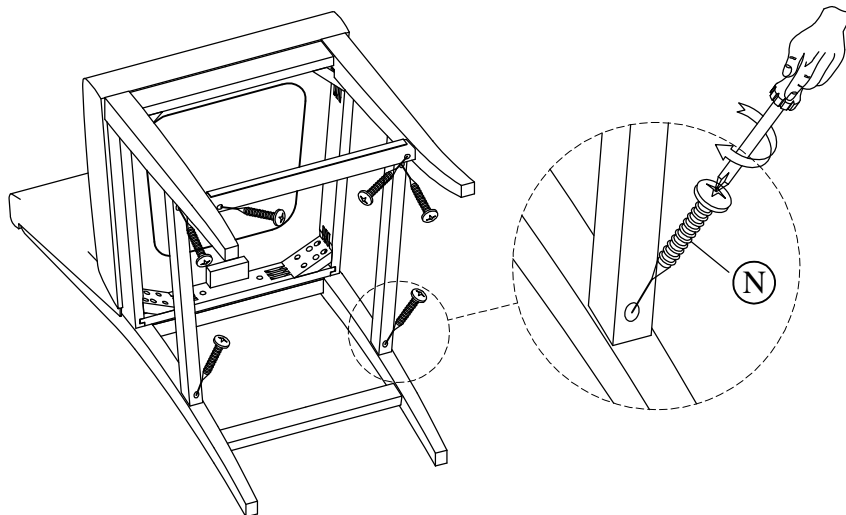
STEP 4: Attach Front Stretcher, no need to attach Screws.



STEP 5: Attach Side Stretcher, no need to attach Screws.



STEP 6: Using the Allen key and a Phillips head screw driver, tighten all screws, then tighten all bolts.



Complete

